

BV03 Series Automatic Ball Valves



General

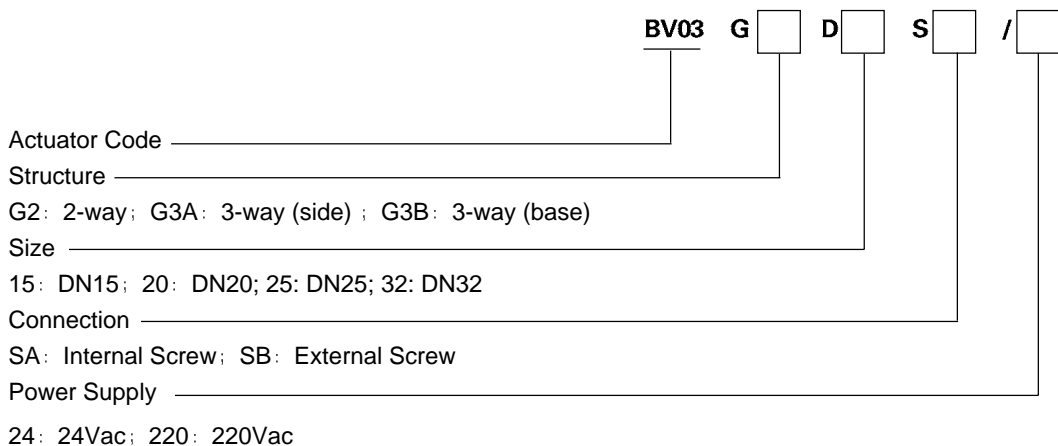
BV03 series ball valves are widely used in central air-conditioning cool/heat water system. It can accurately control the flow of cool/heat medium depending upon the requirements of the given application, and can not result in sudden change of temperature and to control the room temperature accurately.



Features

- Well waterproof and dustproof features (IP65)
- High Differential pressure up to 1MPa and strict closure
- High flux and no sediment due to direct flow through of valve
- Soft shut-off and open, to eliminate water hammer in most applications
- Motor don't bear any forces when valve is not in motion, extending service life
- Actuator can not be affected by temperature of valve and environment
- Quick and easy replacement of moving actuator
- The actuator can be installed after the application and pipe was fixed that is efficient for installation,
- Valve can be mounted near to wall because of actuator's off-center configuration
- Valve can be operated by general tools when actuator has been removed
- The actuator is available for all of 1/2" - 1 1/4" ball valves
- Actuator installation allows for 2 different wiring orientations, thus providing ease of wiring and service

Model Definitions

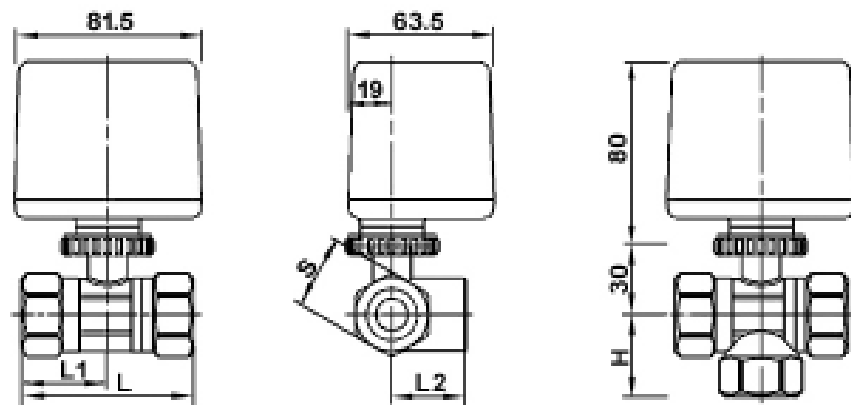


BV03 Series Automatic Ball Valves



Specifications	Materials
Medium: Cool/heat water or 60% glycol	Body: forged brass, nickel plated
Size: DN15, DN20, DN25, DN32	Ball: chrome plated brass
Structure: Two way or Three way	Stem: brass
Operating Mode: on/off or 3-point control (24Vac)	Seats: fiberglass reinforced teflon PTFE
Power Supply: 110Vac, 220Vav, 24Vac etc.	Seal: 2 EPDM O-rings, lubricated
Power Consumption: 5W (during valve position change)	Pressure Rating: 2MPa
Running Times: 15 sec.	Media Temp. Range: 34 °F to 203 °F (1°C to 95°C)
Pipe Fitting: NPT internal thread	Max. Differential Pressure: 1MPa
Optional: BSPP external thread	Protection Grade: IP65
BSPP internal thread	Types: 2-way Valve, 3-way Valve (side) 3-way Valve (base)
BSPT internal thread	
Compression external thread	

Dimension



1/2" (DN15)	4.62	67	33.5	34	34	27
3/4" (DN20)	7.50	66	33	36	36	32.5
1" (DN25)	13.02	88	44	38	40	40
1 1/4" (DN32)	25.97	100	50	—	—	48